



BARRIER FENCING
SUPPLY COMPANY



PRODUCT

CATALOG

WWW.BARRIERFENCINGSUPPLYCOMPANY.COM

Aluminum Fence & Gates

ALUMINUM FENCES

Barrier Fencing 2-Rail 48"*72"



Picket



5/8" x 5/8"
.050" wall thickness

Rail



1" x 1" .055" top wall
.082" side wall

Post



2" x 2" x .062" (Line Post)
2" x 2" x .125" (Gate Post)

Picket Spacing

3 13/16"

Post Spacing *(Center to Center)*

72 1/2"

Height

48"

Standard Color

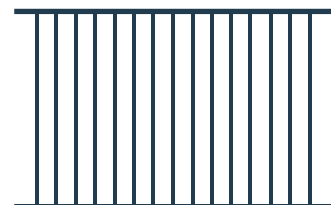
Black

Alloy

6063-T5

Screw

Philips Head Stainless Steel
Tack Screw



2 Rail Design

ALUMINUM FENCES

Barrier Fencing 3-Rail 48"*72"



Picket



5/8" x 5/8"
.050" wall thickness

Rail



1" x 1" .055" top wall
.082" side wall

Post



2" x 2" x .062" (Line Post)
2" x 2" x .125" (Gate Post)

Picket Spacing

3 13/16"

Post Spacing (Center to Center)

72 1/2"

Height

48"

Standard Color

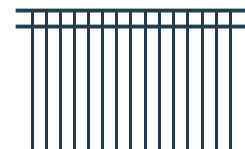
Black

Alloy

6063-T5

Screw

Philips Head Stainless Steel
Tack Screw



3 Rail Design



3 Rail Design

ALUMINUM FENCES

Barrier Fencing 3-Rail 54"*72"



Picket



5/8" x 5/8"
.050" wall thickness

Rail



1" x 1" .055" top wall
.082" side wall

Post



2" x 2" x .062" (Line Post)
2" x 2" x .125" (Gate Post)

Picket Spacing

3 13/16"

Post Spacing (Center to Center)

72 1/2"

Height

54"

Standard Color

Black

Alloy

6063-T5

Screw

Philips Head Stainless Steel
Tack Screw



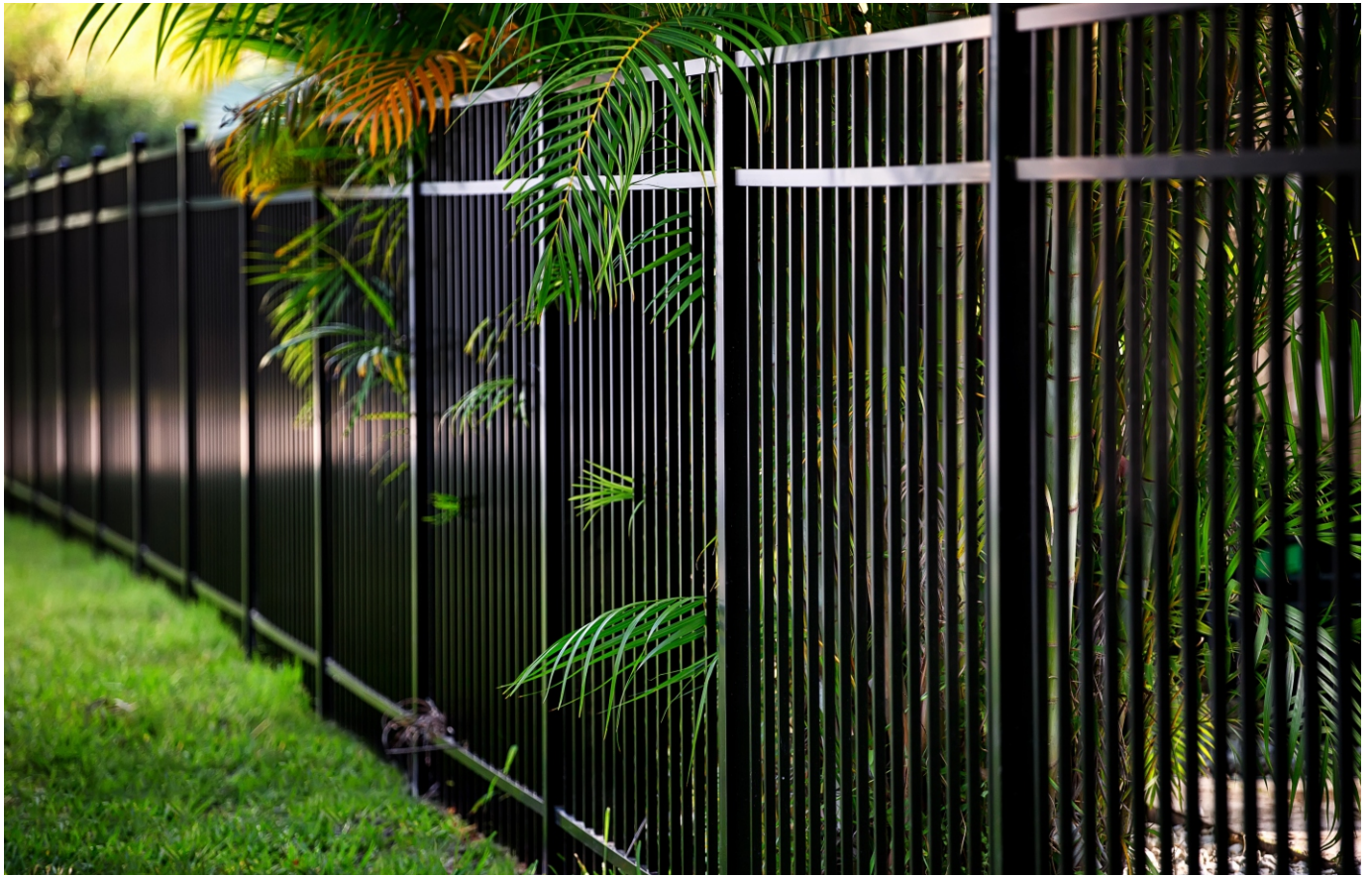
3 Rail Design



3 Rail Design

ALUMINUM FENCES

Barrier Fencing 3-Rail 60"*72"



Picket



5/8" x 5/8"
.050" wall thickness

Rail



1" x 1" .055" top wall
.082" side wall

Post



2" x 2" x .062" (Line Post)
2" x 2" x .125" (Gate Post)

Picket Spacing

3 13/16"

Post Spacing (Center to Center)

72 1/2"

Height

60"

Standard Color

Black

Alloy

6063-T5

Screw

Philips Head Stainless Steel
Tack Screw



3 Rail Design

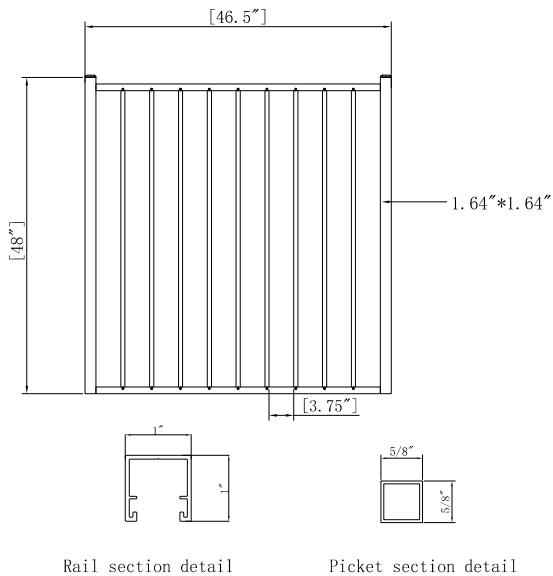


3 Rail Design

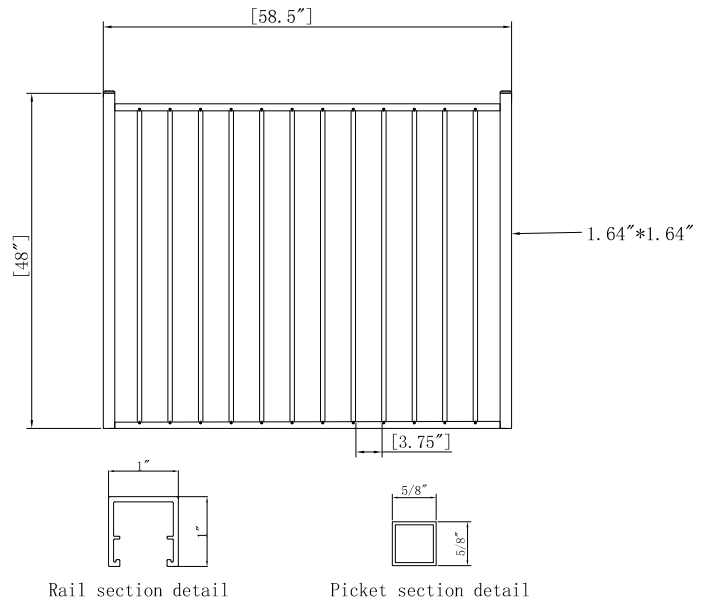
ALUMINUM FENCES

Gate

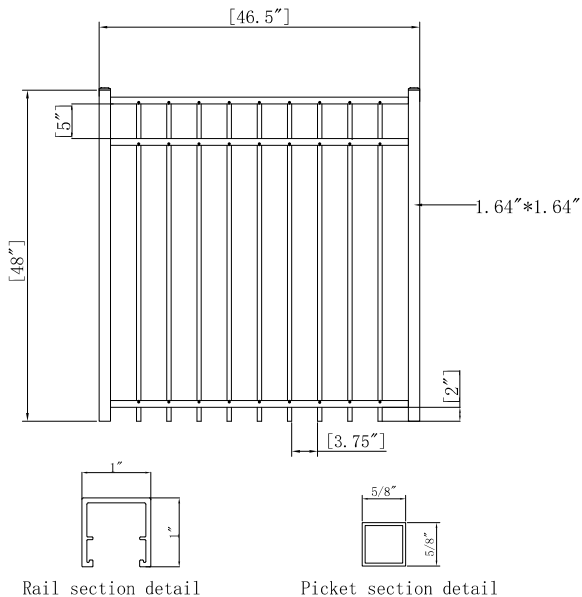
Aluminum Gate Panel - 46.5"*48"



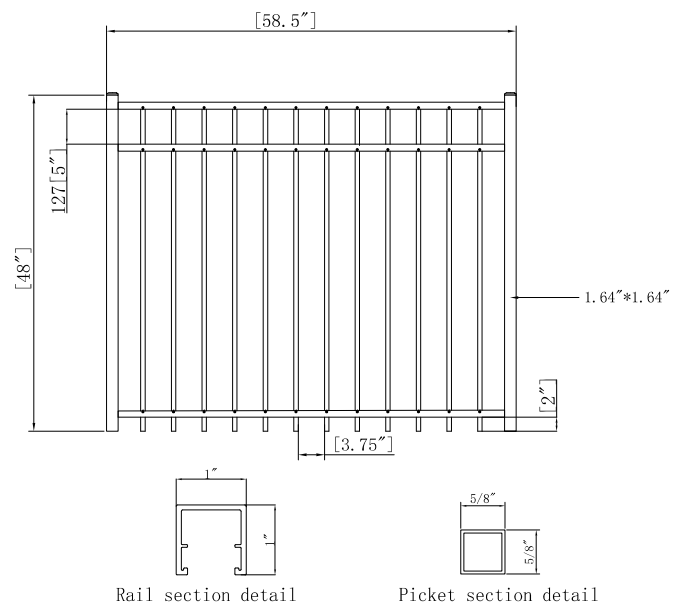
Aluminum Gate Panel - 58.5"*48"



Aluminum Gate Panel - 46.5"*48"



Aluminum Gate Panel - 58.5"*48"

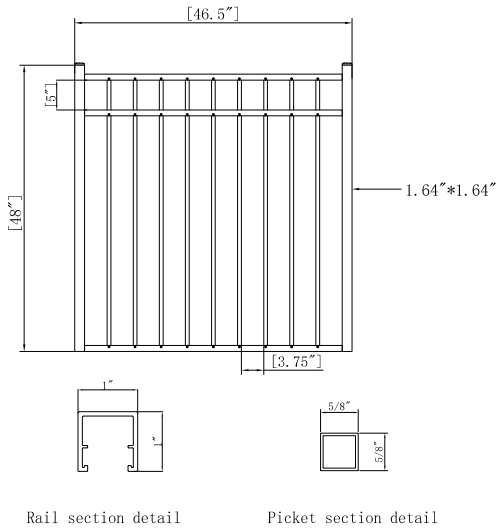


- Top and bottom rails match fence sections
- Gates are powder coated after welding for a perfect finish
- Gates are screwed and welded together for double strength

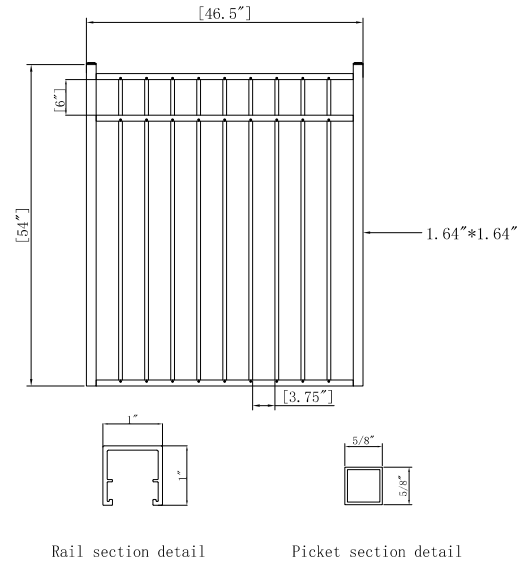
ALUMINUM FENCES

Gate

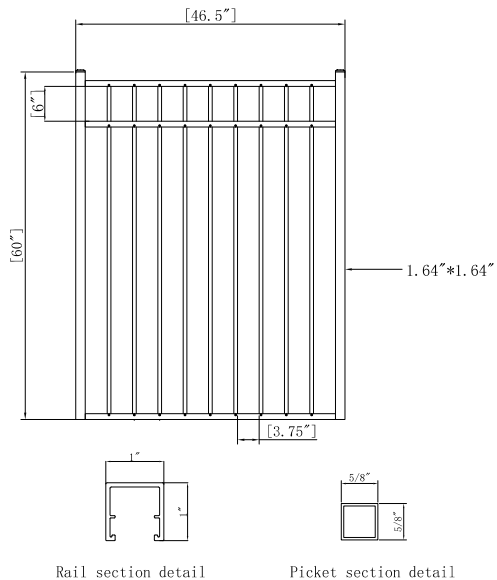
Aluminum Gate Panel - 46.5"*48"



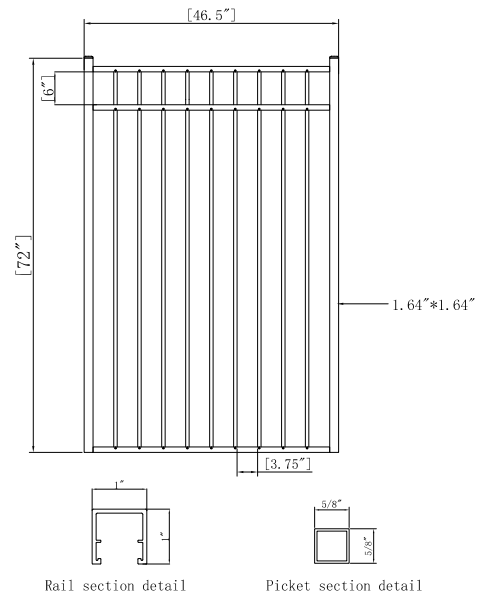
Aluminum Gate Panel - 46.5"*54"



Aluminum Gate Panel - 46.5"*60"



Aluminum Gate Panel - 46.5"*72"

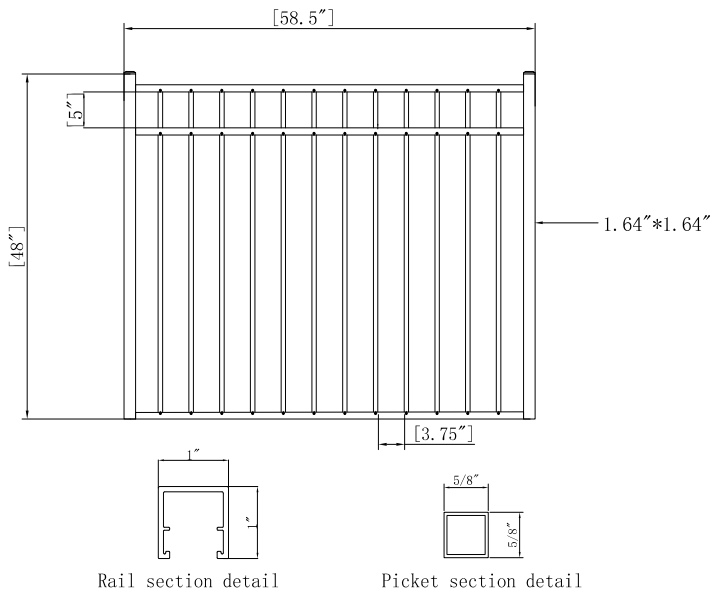


- Top and bottom rails match fence sections
- Gates are powder coated after welding for a perfect finish
- Gates are screwed and welded together for double strength

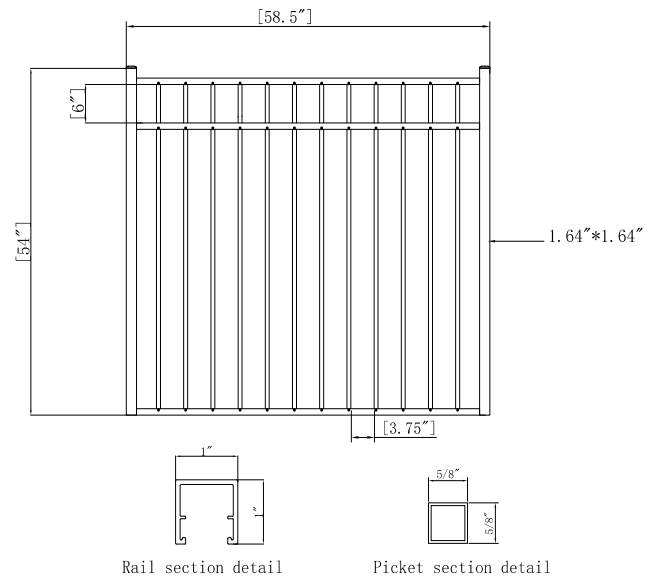
ALUMINUM FENCES

Gate

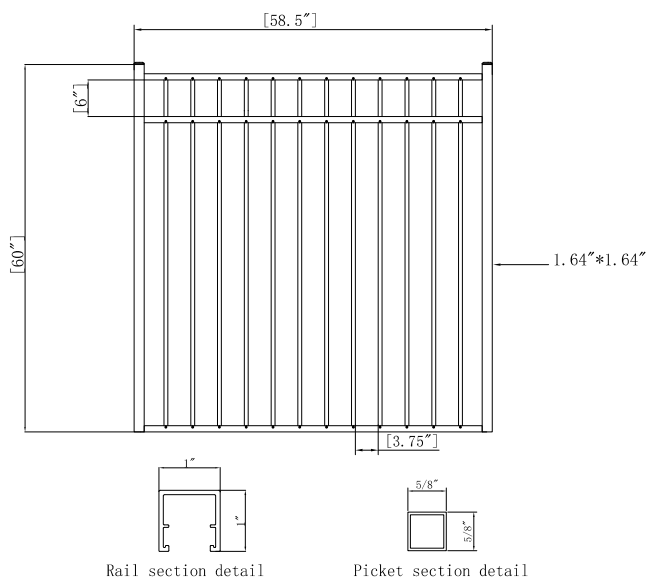
Aluminum Gate Panel - 58.5"*48"



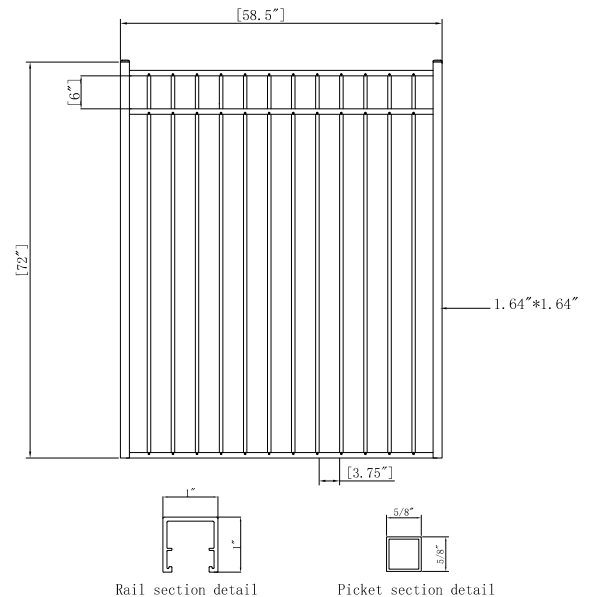
Aluminum Gate Panel - 58.5"*54"



Aluminum Gate Panel - 58.5"*60"



Aluminum Gate Panel - 58.5"*72"

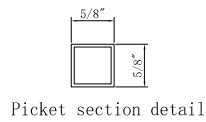
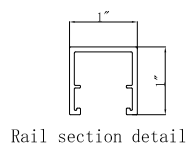
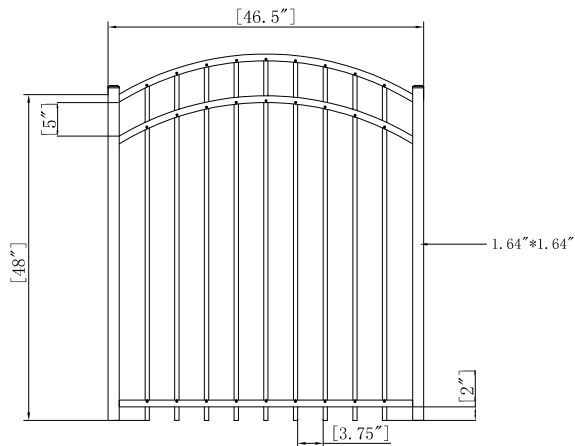


- Top and bottom rails match fence sections
- Gates are powder coated after welding for a perfect finish
- Gates are screwed and welded together for double strength

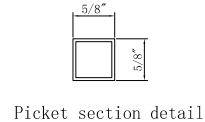
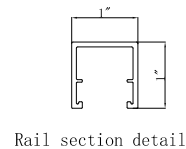
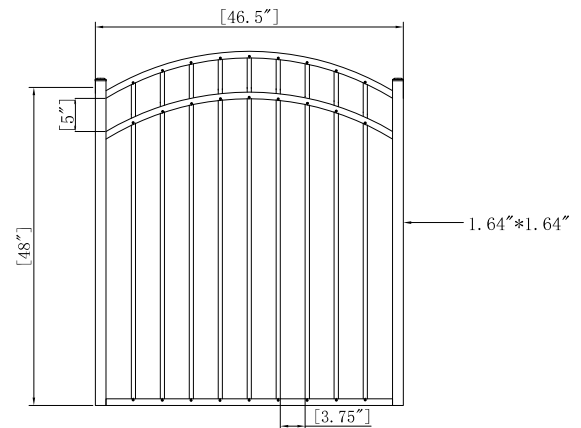
ALUMINUM FENCES

Gate

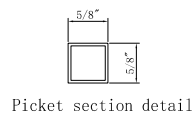
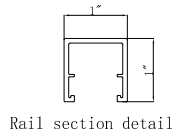
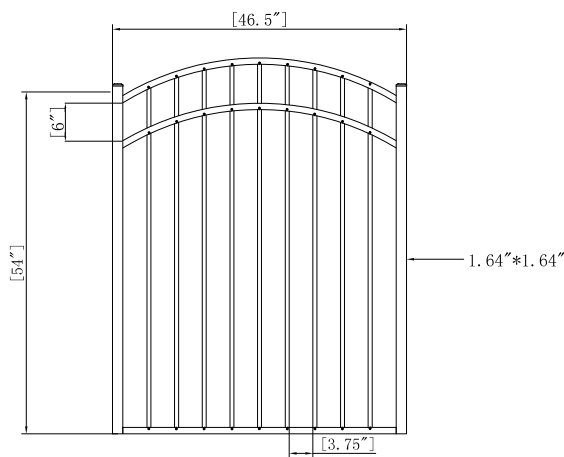
Aluminum Arch Gate Panel - 46.5"*48"



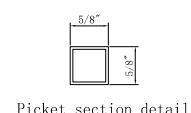
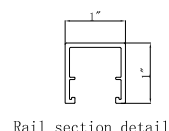
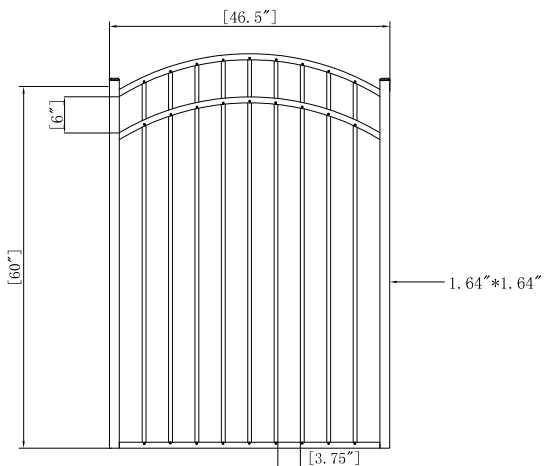
Aluminum Arch Gate Panel - 46.5"*48"



Aluminum Arch Gate Panel - 46.5"*54"



Aluminum Arch Gate Panel - 46.5"*60"

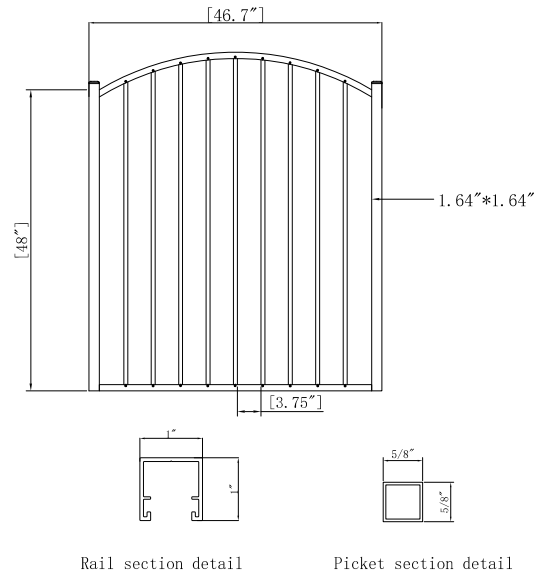


- Top and bottom rails match fence sections
- Gates are powder coated after welding for a perfect finish
- Gates are screwed and welded together for double strength

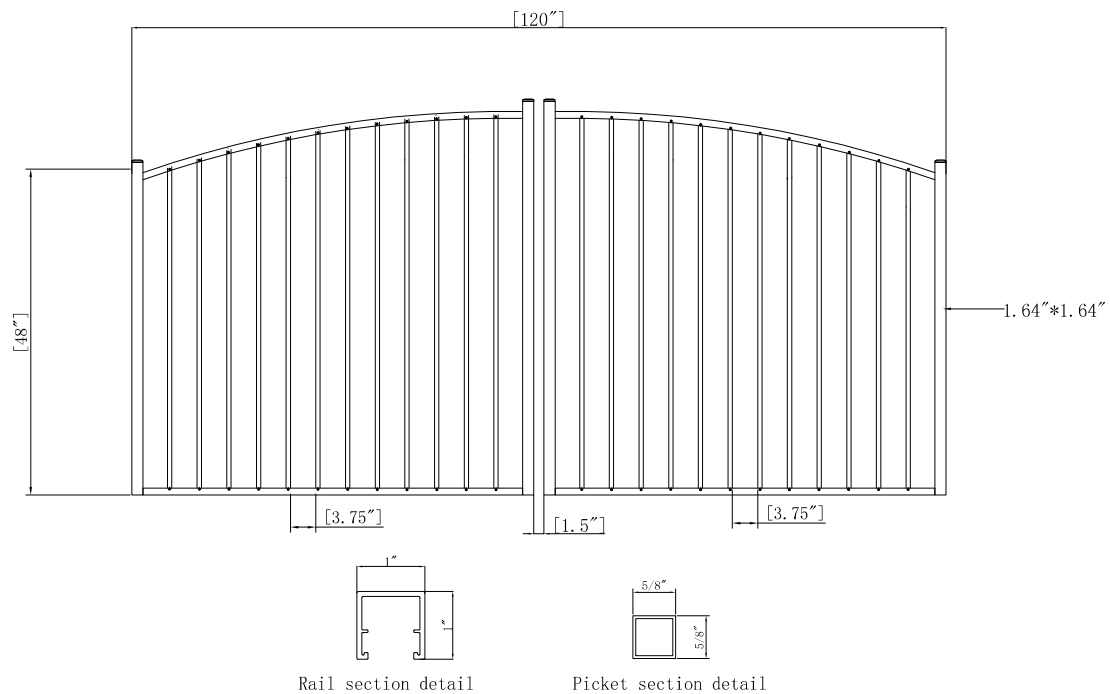
ALUMINUM FENCES

Gate

Aluminum Arch Gate Panel - 46.7"*48"



Aluminum Double Arch Gate Panel - 120"*48"

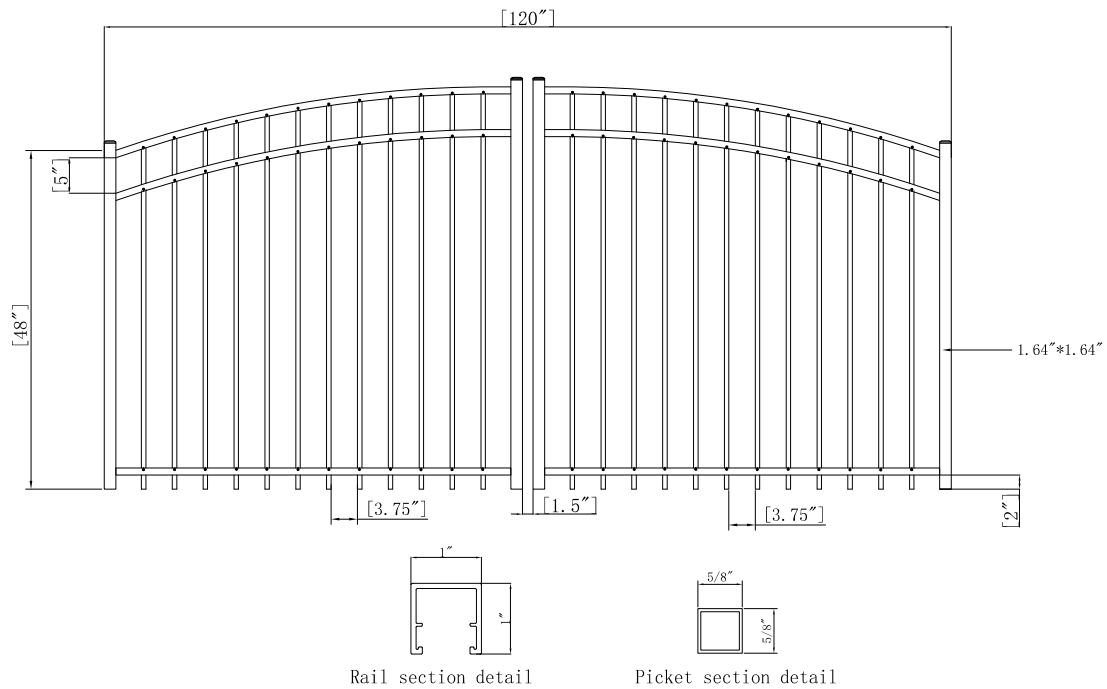


- Top and bottom rails match fence sections
- Gates are powder coated after welding for a perfect finish
- Gates are screwed and welded together for double strength

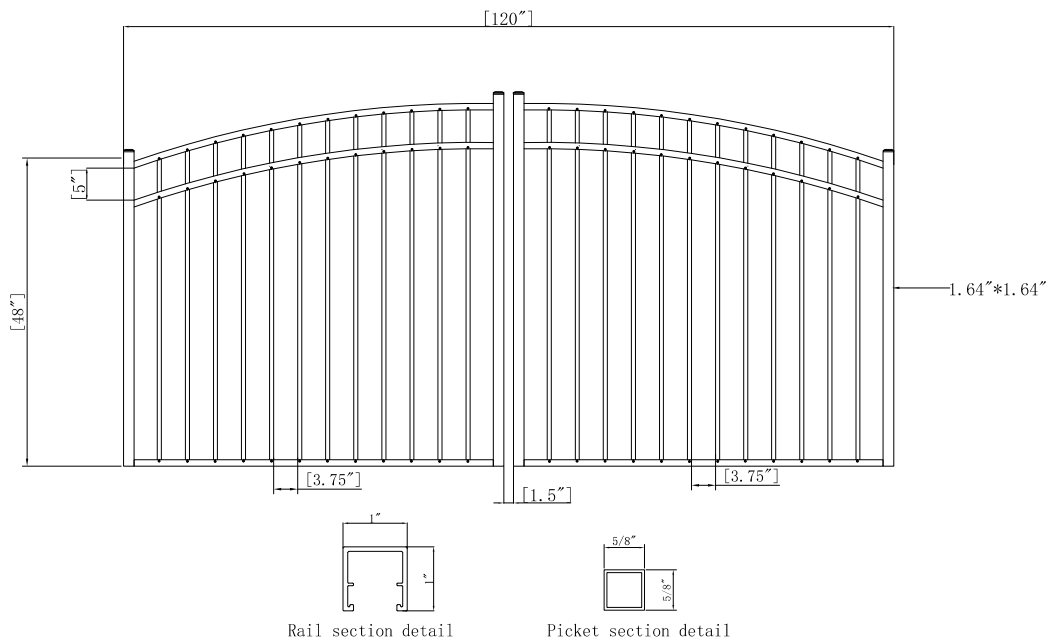
ALUMINUM FENCES

Gate

Aluminum Double Arch Gate Panel - 120"*48"



Aluminum Double Arch Gate Panel - 120"*48"

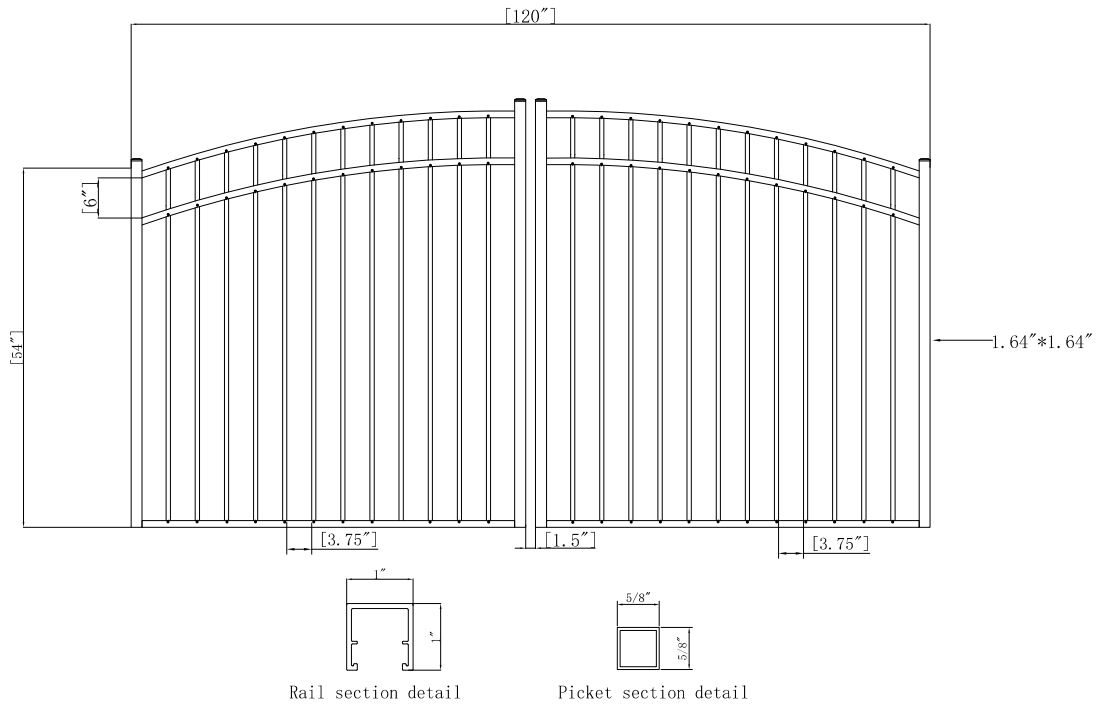


- Top and bottom rails match fence sections
- Gates are powder coated after welding for a perfect finish
- Gates are screwed and welded together for double strength

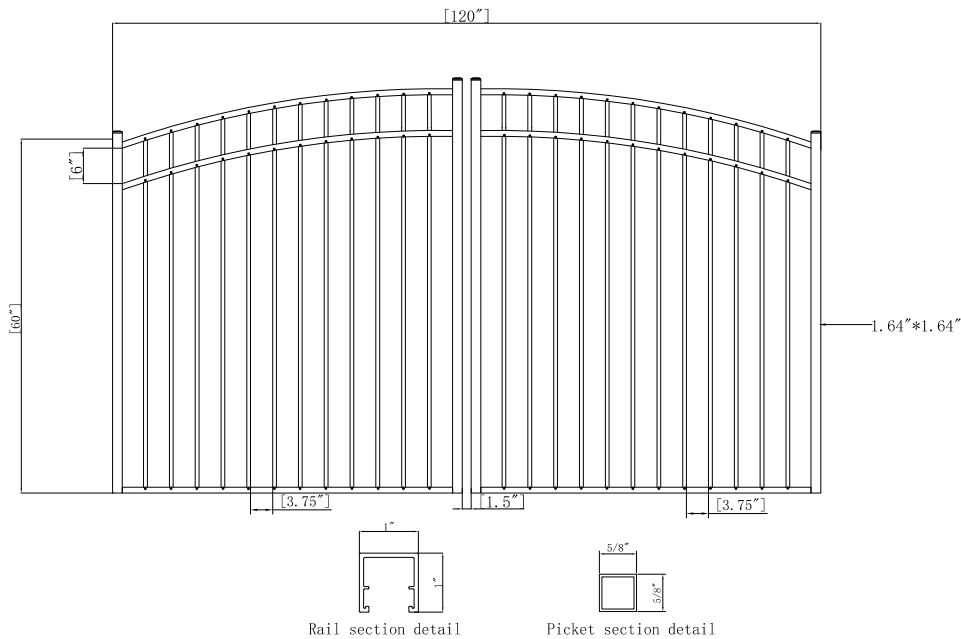
ALUMINUM FENCES

Gate

Aluminum Double Arch Gate Panel - 120"*54"



Aluminum Double Arch Gate Panel - 120"*60"



- Top and bottom rails match fence sections
- Gates are powder coated after welding for a perfect finish
- Gates are screwed and welded together for double strength

ENHANCE YOUR FENCE:

Premium Gate Hardware for Aluminum and Vinyl



SafeTech Viper Gravity Latch

Adds a touch of modern aesthetics to any setting. Offers double-sided locking for enhanced security. It features a latching mechanism and an effortless catching system, ensuring both reliability and ease of use. Vertical and horizontal adjustability allows for versatile installation. Its durable design ensures it remains unaffected by deterioration over time.

SafeTech Key Lockable Pool Latch

Your ultimate solution for pool safety and peace of mind. This latch features a child-proof design that ensures your little ones stay safe around the pool area. Fully compliant with pool safety standards. The magnetic self-latching system ensures that the gate securely closes every time, preventing unauthorized access and potential accidents. Sleek and stylish design that complements your outdoor space.



24" Drop Rod

A versatile and durable gate accessory. Provides an extra layer of security with a padlock feature. Equipped with retention tabs that prevent the rod from dropping or dragging. Works seamlessly with both vinyl and aluminum fencing while providing reliable gate security and ease of use.

ENHANCE YOUR FENCE:

Premium Gate Hardware for Aluminum and Vinyl

SafeTech Self Closing Hinge

Featuring a unique patented tension adjustment system, this innovative design allows users to customize the tension of their hinge to their liking.

With the included Allen key, adjustments can be made hassle free. Crafted from highly durable fiber reinforced polymer, ensuring no deterioration.



Lockable (Double Sided) Stainless Steel Latch

Enjoy a smooth and reliable functionality with the integrated latch spring, eliminating any need for additional components. With a horizontal adjustability you can achieve a perfect fit for any gate style. The gate accommodates standard to narrow side legs, ensuring seamless integration. Includes stainless steel fasteners. Pad-lockable on both sides. Offers reversible mounting, giving you the option of left- or right-hand access.

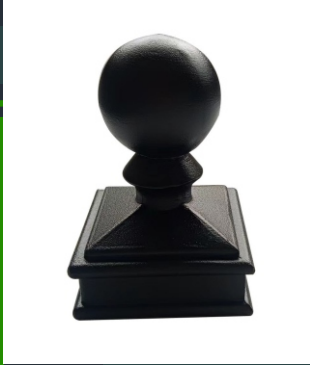
Self-Closing, Tension Adjustable Gate Hinge

Has standard to standard side legs ensuring a quick and easy installment and alignment. Powder coat finish ensuring durability and longevity of your product. Operate from both sides of the gate as well as locks on each side. Has a horizontal adjustability feature ensuring flawless functionality of your gate. Accommodates most padlock sizes, giving you the option to select the locking mechanism of your choice.



ENHANCE YOUR FENCE:

Premium Gate Hardware for Aluminum and Vinyl

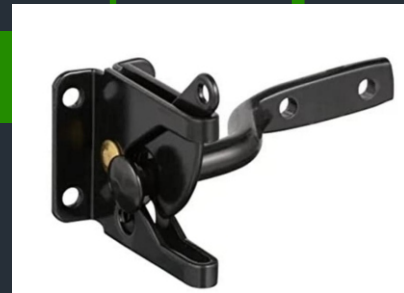


2" Ball Post Cap

Upgrade your fence with a sleek 2"x2" Post Ball Cap. Designed to perfectly complement your aluminum 2"x2" fence posts, this cap features a striking sphere shape that adds a touch of elegance to your outdoor space. The black powder-coated finish not only ensures durability but also brings a modern aesthetic to your fence.

Pro Series Gravity Latch

Experience security and style with our standard Pro Series Gravity Latch. This latch offers easy installation with (6) included screws, requiring minimal prep work. Its cost-effective design doesn't compromise on quality, providing you with a professional-looking solution that's both easy to use and reliable.



Floor Mount

Boost your fencing project with our 2"x2" Floor Mount. It has a sleek black powder coat finish. Specifically crafted for surface mounting aluminum fences, this sturdy mount offers a seamless solution. Positioned at the base of your 2"x2" aluminum post, it ensures stability by securely bolting down to any hard surface.



Extruded Aluminum Process

Aluminum extrusions are created by squeezing heated metal under high pressure until it forms a certain shape. This process offers multiple advantages including a long lasting life, being environmentally friendly, and having amazing adaptability.



Shipping

Extreme care is put into our packaging with foam paper between each panel and ties securing all panels together into cardboard.

Limited Lifetime Warranty:

Barrier Fencing Supply Company hereby warrants that its super-durable TGIC powder coating aluminum fence will not peel, crack, chip or blister for as long as you own the fence. The aluminum fence is specially designed and made out of extruded aluminum, Alloy 6063-T5, Barrier Fencing Supply Company also warrants that its aluminum fences will be free from defects in workmanship and material. This warranty does not extend to damage caused by improper installation, application or use, accidents, alterations, negligence, mishandling or acts of God. Barrier Fencing Supply Company will refund the original purchase price of defective parts at its discretion if the product fails to conform to this warranty. To file a claim, provide Barrier Fencing Supply Company with written notice, description and photographs of the defect, and proof of purchase. In order for this warranty to apply to any failure related modification of length of the panel, panels which have been cut to custom length must be properly cleaned, re-coated and touched up well. In adverse environments such as coastline, more frequent cleaning is needed at least once a year from the date of installation. **DO NOT USE ORGANIC OR INORGANIC SOLVENTS TO CLEAN THE COATED EXTRUSIONAL/ALUMINUM PARTS.** The solvents can react with the polymer matrix and soften the coating, thus affecting the weathering properties. Product installed within 0 to 1 mile from the saltwater coastline shall need to be painted on any cut or milled surfaces for the warranty to remain valid.



Powder Coating

The best aluminum fence manufacturers choose to powder coat their aluminum fences rather than paint them. This ultra-durable coating not only provides a beautiful color but guarantees resistance to rot, rust, dirt, and more!



Assembly in the USA

Assembled in the USA for excellent quality control and assurance. We check every panel as it is assembled to maintain a defect free product.

✉ Sales@barrierfencingproducts.com
🌐 www.barrierfencingproducts.com

 **BARRIER FENCING**
SUPPLY COMPANY



WWW.BARRIERFENCINGSUPPLYCOMPANY.COM